

PLEASE KEEP ME WITH YOUR PROOF OF PURCHASE FOR FUTURE REFERENCE



## ASSEMBLY INSTRUCTIONS

### Eden Square Left Hand + Right Hand Sofa & 2 x Stools







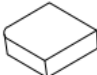

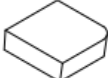



64004082/64004092

#### ATTENTION:

1. Please read these instructions carefully before assembly
2. Aluminium is soft metal and over tightening may strip thread or break the part
3. **DO NOT** use power tools
4. Please allow 30 minutes for assembly.
5. Although assembly only requires 1 person it is advised that a second person be present to help turn the table over and into position when fully assembled

#### LEFT HAND CORNER ASSEMBLY STEPS:



1. Turn the sofa seating panel (A) upside down on a soft clean surface
2. **LOOSELY** attach Legs(B) to the Sofa(A) with bolts(K) and big flat washers(M) using Allen key(N)
3. **LOOSELY** attach middle leg(C) to the Sofa(A) with bolts(L) and big flat washers(M) using Allen key(N)
4. Tighten all bolts using Allen key (N) one by one being careful not to over tighten any as this will cause the thread to become damaged
5. Turn Sofa over and place in desired position.
6. Place all cushions (D, E, F, G, H, I and J) on the sofa seat. N:B Cushions have shaped corners, Please take note when placing onto furniture

Component's				Fixings					
Parts List	Parts Picture	Description	Q'ty	Part no	Parts list	Parts Picture	Description	Q'ty	Part no.
A		Sofa seat	1	64004082A1 64004092A1	H		Left Back cushion	1	5EDBC002 MJ 5EDBC002 CN
B		Legs	4	64004082B1 64004092B1	I		Middle Back cushion	1	5EDMBC00 1MJ 5EDMBC00 1CN
C		Middle Leg	1	64004082C1 64004092C1	J		Corner Back Cushion (Slanted)	1	5EDCBC00 1MJ 5EDCBC00 1CN
D		Right Seat cushion	1	5EDRSC001MJ 5EDRSC001CN	K		M6*25 bolts	12	1231162
E		Left Seat cushion	1	5EDLSC001MJ 5EDLSC001CN	L		M6*20 bolts	2	1091162
F		Middle Seat cushion	1	5EDMSC001MJ 5EDMSC001CN	M		Big Flat washers	14	1061162

For replacement or lost spare parts please go to <http://faq.hartmanuk.co.uk/spares/>

Should you have any queries about your furniture your first point of contact should be the retailer from whom you purchased your product

PLEASE KEEP ME WITH YOUR PROOF OF PURCHASE FOR FUTURE REFERENCE

G		Right Back cushion	1	5EDBC002MJ 5EDBC002CN	N		Allen Key	1	2002191
---	---	--------------------	---	--------------------------	---	--	-----------	---	---------

For more information regarding maintenance of your furniture please visit <http://www.hartmanuk.com>

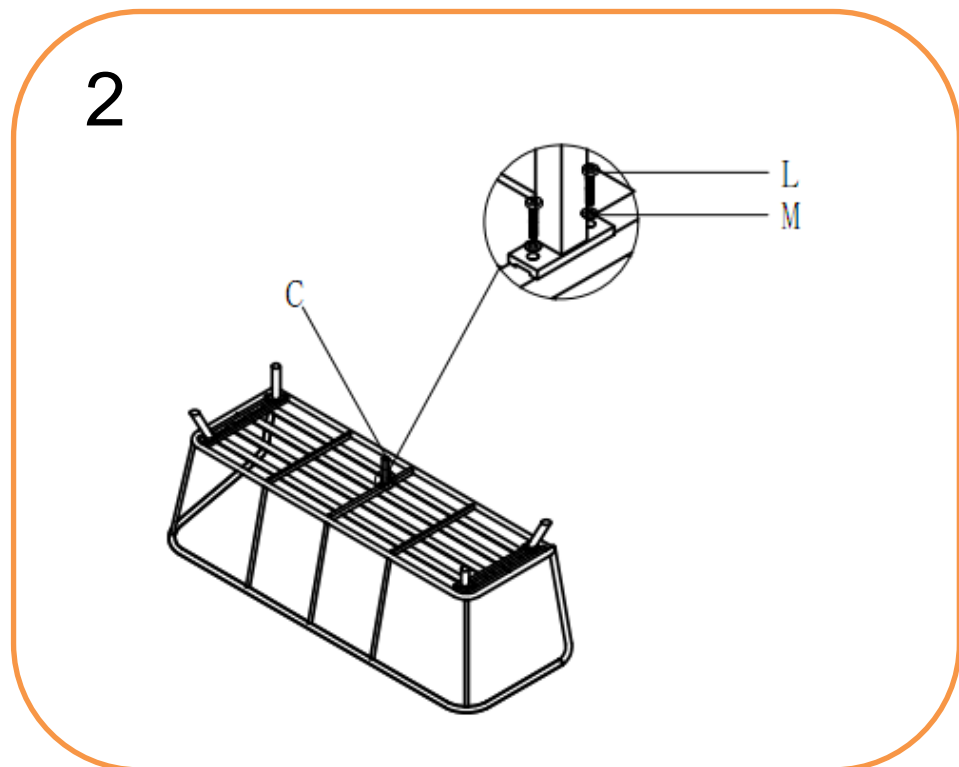
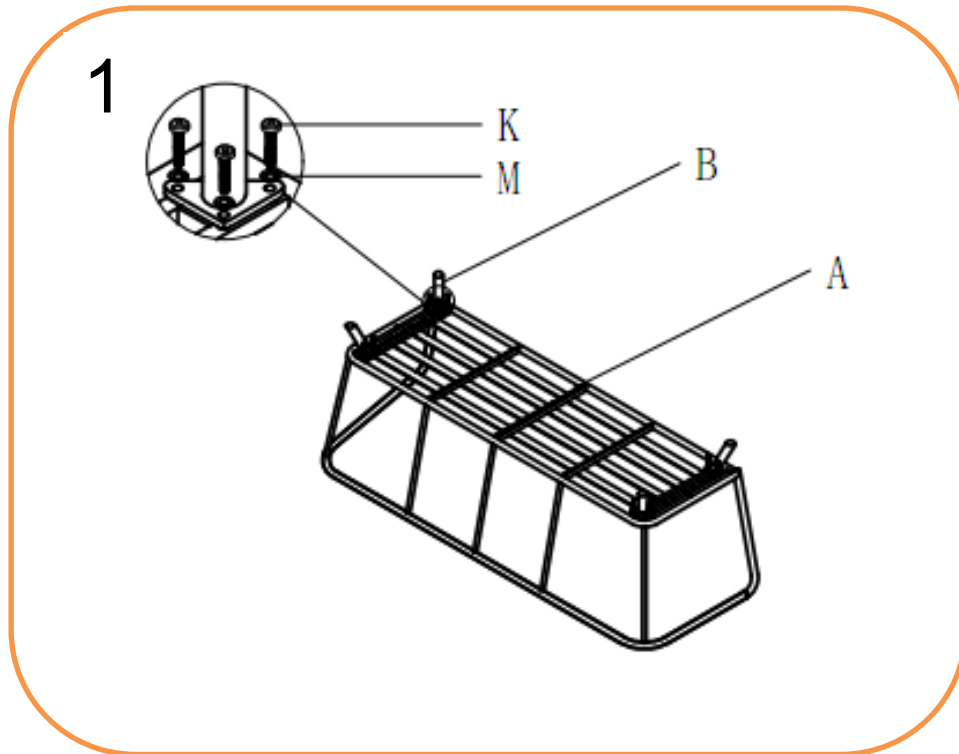
For replacement or lost spare parts please go to <http://faq.hartmanuk.co.uk/spares/>

**Should you have any queries about your furniture your first point of contact should be the retailer from whom you purchased your product**

PLEASE KEEP ME WITH YOUR PROOF OF PURCHASE FOR FUTURE REFERENCE

### ASSEMBLY INSTRUCTIONS

#### Eden Square Left Hand + Right Hand Sofa & 2 x Stools (A1)

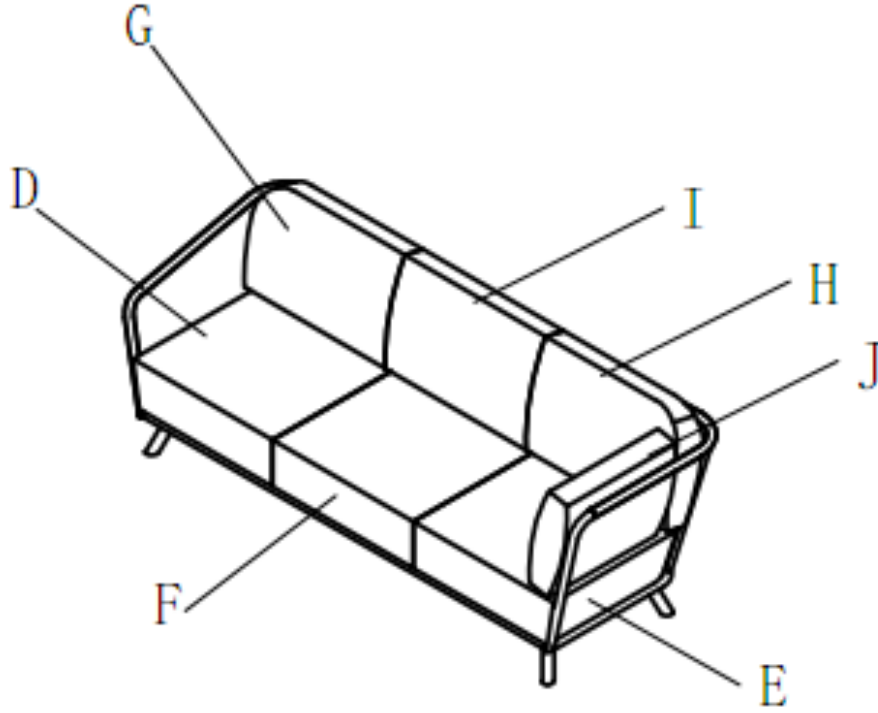


For replacement or lost spare parts please go to <http://faq.hartmanuk.co.uk/spares/>  
Should you have any queries about your furniture your first point of contact should be the retailer from whom you purchased your product

PLEASE KEEP ME WITH YOUR PROOF OF PURCHASE FOR FUTURE REFERENCE



3



For replacement or lost spare parts please go to <http://faq.hartmanuk.co.uk/spares/>  
**Should you have any queries about your furniture your first point of contact should be the retailer from whom you purchased your product**

PLEASE KEEP ME WITH YOUR PROOF OF PURCHASE FOR FUTURE REFERENCE

## ASSEMBLY INSTRUCTIONS

### Eden Square Left Hand + Right Hand Sofa & 2 x Stools







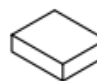

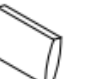
#### ATTENTION:

1. Please read these instructions carefully before assembly
2. Aluminium is soft metal and over tightening may strip thread or break the part
3. **DO NOT** use power tools
4. Please allow 30 minutes for assembly.
5. Although assembly only requires 1 person it is advised that a second person be present to help turn the table over and into position when fully assembled

#### RIGHT HAND CORNER ASSEMBLY STEPS:

1. Turn the sofa seat (A) upside down on a soft clean surface
2. **LOOSELY** attach Legs(B) to the Sofa(A) with bolts(G) and big flat washers(H) using Allen key(I)
3. Tighten all bolts using Allen key (I) one by one being careful not to over tighten any as this will cause the thread to become damaged
4. Turn Sofa over and place in desired position.
5. Place all cushions (C, D, E and F) on the sofa seat

For more information regarding maintenance of your furniture please visit <http://www.hartmanuk.com>

Component's				Fixings					
Parts List	Parts Picture	Description	Q'ty	Part no	Parts list	Parts Picture	Description	Q'ty	Part no.
A		Sofa seat	1	64004082A2 64004092A2	G		M6*25 bolts	12	1231162
B		Legs	4	64004082B2 64004092B2	H		Big Flat washers	12	1061162
C		Left Seat cushion	1	5EDLSC001 MJ 5EDLSC001C N	I		Allen Key	1	2002191
D		Middle Seat cushion	1	5EDMSC001 MJ 5EDMSC001 CN					
E		Left Back cushion	1	5EDBC002M J 5EDBC002C N					
F		Middle Back cushion	1	5EDMBC001 MJ 5EDMBC001 CN					

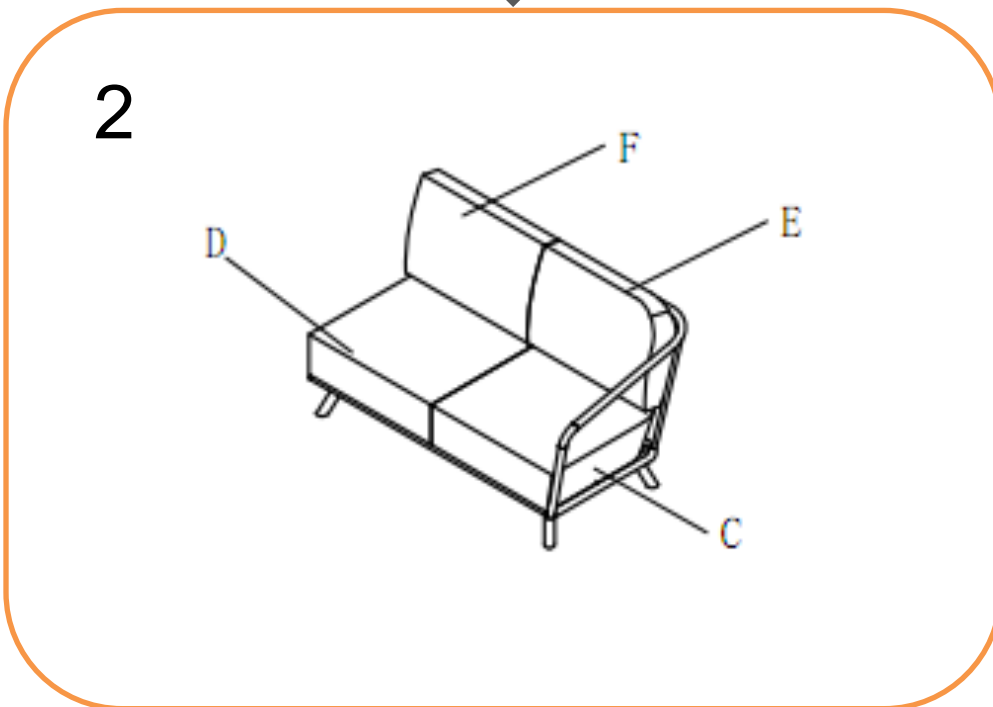
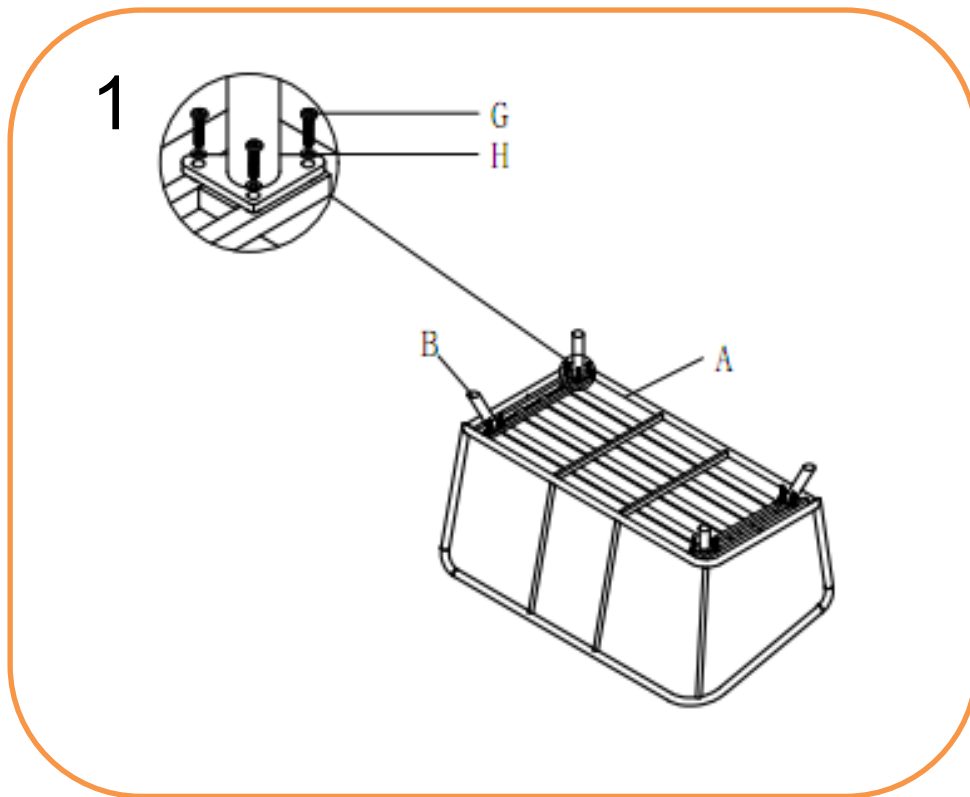
For replacement or lost spare parts please go to <http://faq.hartmanuk.co.uk/spares/>

**Should you have any queries about your furniture your first point of contact should be the retailer from whom you purchased your product**

PLEASE KEEP ME WITH YOUR PROOF OF PURCHASE FOR FUTURE REFERENCE

### ASSEMBLY INSTRUCTIONS

#### Eden Square Left Hand + Right Hand Sofa & 2 x Stools (A2)



For replacement or lost spare parts please go to <http://faq.hartmanuk.co.uk/spares/>  
Should you have any queries about your furniture your first point of contact should be the retailer from whom you purchased your product

PLEASE KEEP ME WITH YOUR PROOF OF PURCHASE FOR FUTURE REFERENCE

## ASSEMBLY INSTRUCTIONS

### Eden Square Left Hand + Right Hand Sofa & 2 x Stools







#### ATTENTION:

1. Please read these instructions carefully before assembly
2. Aluminium is soft metal and over tightening may strip thread or break the part
3. **DO NOT** use power tools
4. Please allow 30 minutes for assembly.
5. Although assembly only requires 1 person it is advised that a second person be present to help turn the table over and into position when fully assembled

#### STOOL ASSEMBLY STEPS:

1. Turn the stool top frame(A) upside down on a soft clean surface
2. **LOOSELY** attach Legs(B) to the top(A) with bolts(D) and big flat washers(E) using Allen key(F)
3. Tighten all bolts using Allen key (F) one by one being careful not to over tighten any as this will cause the thread to become damaged
4. Turn stool over and place in desired position and put cushion(C) on it.

For more information regarding maintenance of your furniture please visit <http://www.hartmanuk.com>

Component's					Fixings				
Parts List	Parts Picture	Description	Q'ty	Part no	Parts list	Parts Picture	Description	Q'ty	Part no.
A		Stool top frame	1	64004082A2 64004092A2	D		M6*25 bolts	12	1231162
B		Leg	4	64004082B2 64004092B2	E		Big Flat washers	12	1061162
C		Cushion	1	5EDSTC001 MJ 5EDSTC001C N	F		Allen Key	1	2002191

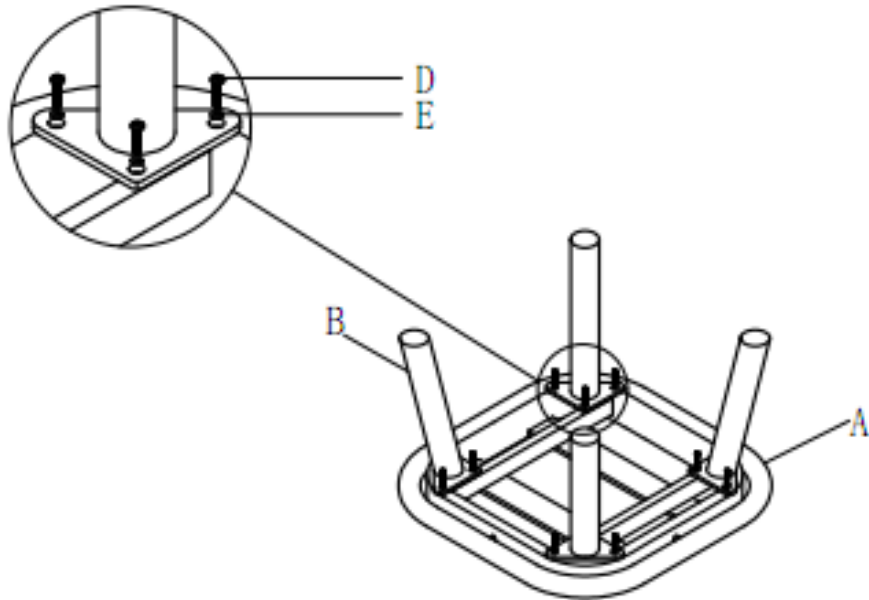
For replacement or lost spare parts please go to <http://faq.hartmanuk.co.uk/spares/>

**Should you have any queries about your furniture your first point of contact should be the retailer from whom you purchased your product**

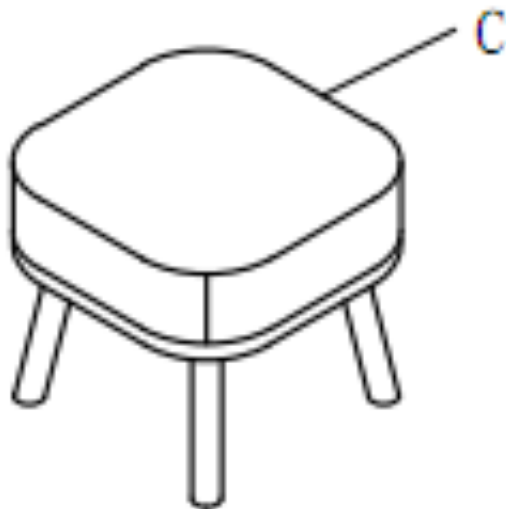
PLEASE KEEP ME WITH YOUR PROOF OF PURCHASE FOR FUTURE REFERENCE  
**ASSEMBLY INSTRUCTIONS**

**Eden 3 Seat Lounge Sofa, 2 x Lounge Chairs & 2 x Stools (A2)**

1



2



For replacement or lost spare parts please go to <http://faq.hartmanuk.co.uk/spares/>  
**Should you have any queries about your furniture your first point of contact should be the retailer from whom you purchased your product**



PLEASE KEEP ME WITH YOUR PROOF OF PURCHASE FOR FUTURE REFERENCE

**ATTENTION:**




1. Please read these instructions carefully before assembly
2. Aluminium is soft metal and over tightening may strip thread or break the part
3. **DO NOT** use power tools
4. Please allow 30 minutes for assembly.
5. Although assembly only requires 1 person it is advised that a second person be present to help turn the table over and into position when fully assembled.

**CORNER UNIT ASSEMBLY STEPS:**

1. Position part (A) and part (B) ready for assembly
2. With 2 velcro straps (C) position over the section that adjoin parts (A1) and (B1).
3. Turn sofas over and place in desired position.

**For more information regarding maintenance of your furniture please visit**

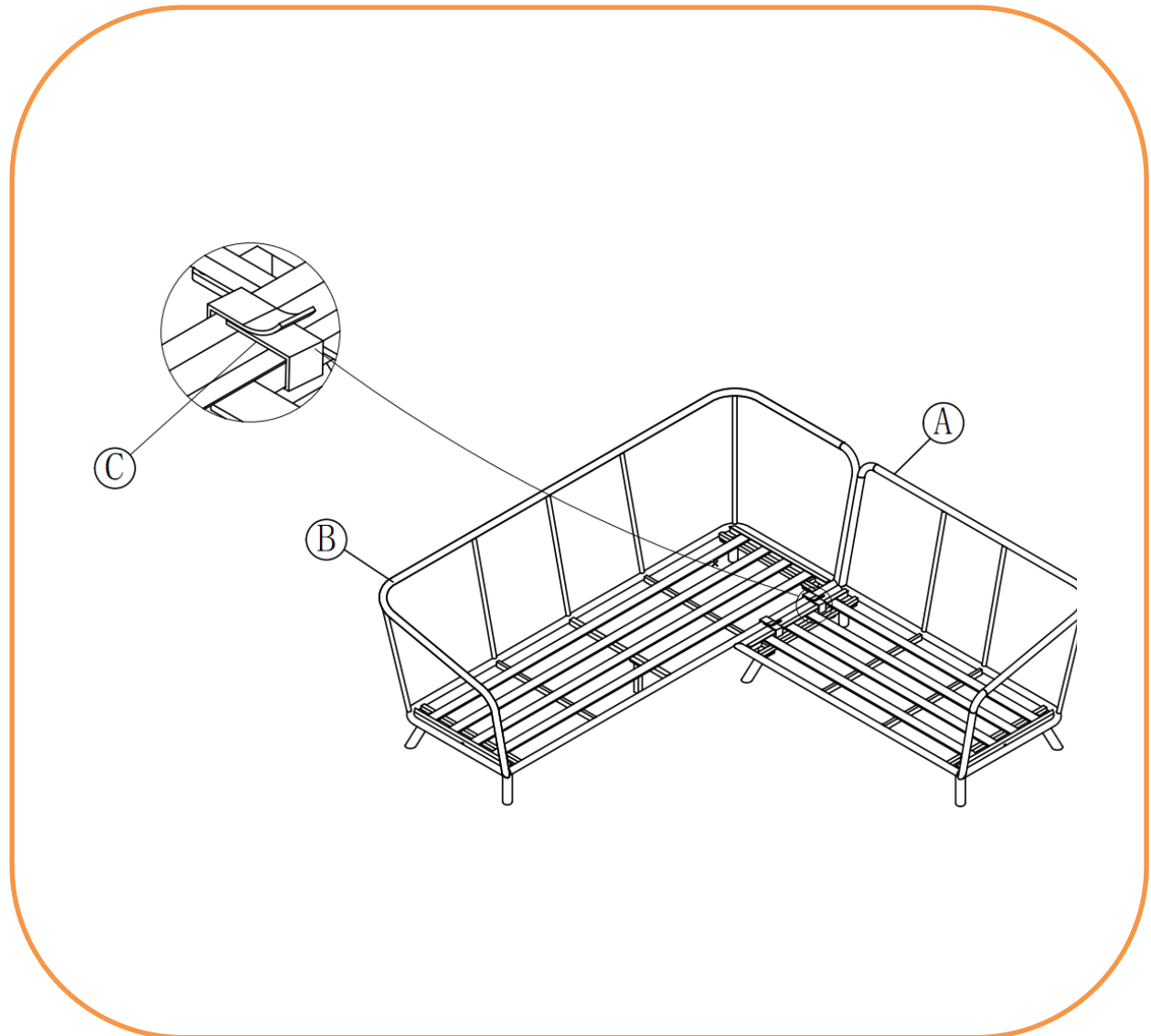
[http://www.hartmanuk.co.uk/after\\_care\\_videos.html](http://www.hartmanuk.co.uk/after_care_videos.html)

Component's				Fixings					
Parts List	Parts Picture	Description	Q'ty	Part no	Parts list	Parts Picture	Description	Q'ty	Part no.
A		Sofa 1	1	64004082A1 64004092A1	C		Velcro strap	2	2200011
B		Sofa 2	1	64004082A2 64004092A2					

For replacement or lost spare parts please go to <http://faq.hartmanuk.co.uk/spares/>

**Should you have any queries about your furniture your first point of contact should be the retailer from whom you purchased your product**

PLEASE KEEP ME WITH YOUR PROOF OF PURCHASE FOR FUTURE REFERENCE



For replacement or lost spare parts please go to <http://faq.hartmanuk.co.uk/spares/>  
**Should you have any queries about your furniture your first point of contact should be the retailer from whom you purchased your product**

PLEASE KEEP ME WITH YOUR PROOF OF PURCHASE FOR FUTURE REFERENCE



## ASSEMBLY INSTRUCTIONS

### Eden 100cm Square Casual Table

64005082/64005092

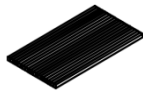

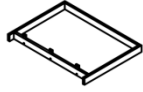



#### ATTENTION:

1. Please read these instructions carefully before assembly
2. Aluminium is soft metal and over tightening may strip thread or break the part
3. **DO NOT** use power tools
4. Please allow 30 minutes for assembly.
5. Although assembly only requires 1 person it is advised that a second person be present to help turn the table over and into position when fully assembled

#### TABLE ASSEMBLY STEPS:

1. Turn the table top (A) upside down on a soft clean surface
2. **LOOSELY** attach Legs(B) to the table top(A) with bolts(C&D) and big flat washers(E) using Allen key(F)
3. Tighten all bolts using Allen key (F) one by one being careful not to over tighten any as this will cause the thread to become damaged
4. Turn table over and place in desired position.

For more information regarding maintenance of your furniture please visit <http://www.hartmanuk.com>

Component's				Fixings					
Parts List	Parts Picture	Description	Q'ty	Part no	Parts list	Parts Picture	Description	Q'ty	Part no.
A		Table top	1	64005082A 64005092A	C		M6*30 bolts	6	1101162
B		Leg	4	64005082B 64005092B	D		M6*20 bolts	6	1091162
					E		Big Flat washers	12	1061162
					F		Allen Key	1	2002191

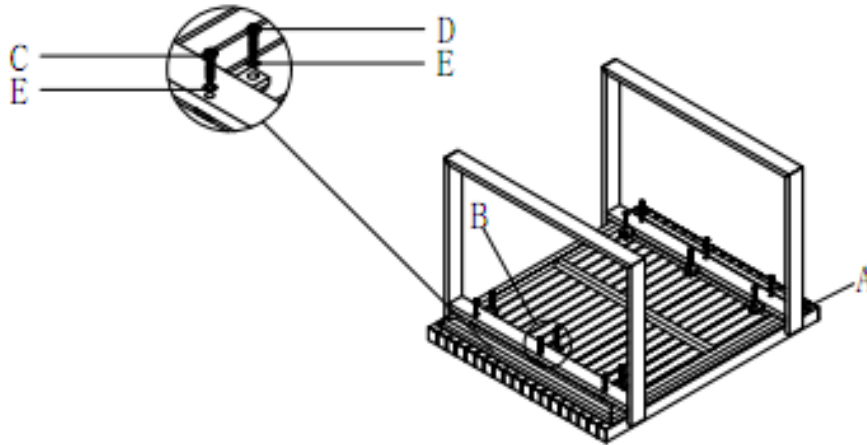
For replacement or lost spare parts please go to <http://faq.hartmanuk.co.uk/spares/>

**Should you have any queries about your furniture your first point of contact should be the retailer from whom you purchased your product**

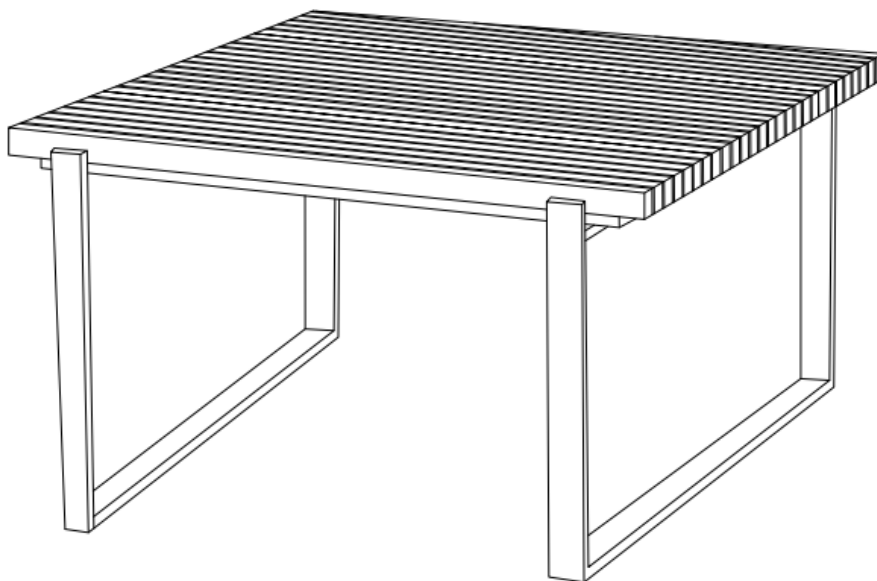
PLEASE KEEP ME WITH YOUR PROOF OF PURCHASE FOR FUTURE REFERENCE  
**ASSEMBLY INSTRUCTIONS**

**Eden 100cm Square Casual Table**

1



2



For replacement or lost spare parts please go to <http://faq.hartmanuk.co.uk/spares/>  
**Should you have any queries about your furniture your first point of contact should be the retailer from whom you purchased your product**