

PLEASE KEEP ME WITH YOUR PROOF OF PURCHASE FOR FUTURE REFERENCE.



ATTENTION:

1. Please read these instructions carefully before assembly
2. Please allow 30 minutes for assembly.
3. Assembly will require 2 people

Care for the canopy:

- Simply clean the umbrella canopy with a soft brush and mild detergent.
- Do not machine wash or machine dry.
- Do not iron.
- Air-dry the canopy thoroughly in an open position before storing for extended periods of time.

IMPORTANT! Always close/put down the parasol when not in use. Do not use or assemble the parasol in heavy winds, rain, thunderstorms or if it's snowing. In these weather conditions, we recommend to fold down or disassemble the parasol. Disassemble by following the setup steps in this manual.

IMPORTANT! The parasol must be secured in place using a parasol base. Make sure the ground is level and firm.

IMPORTANT! If the crank gets too hard to turn, check if the rope has come off the pulley. If you continue to turn the crank, the rope or crank handle could break.

IMPORTANT! Placing the parasol over or near a swimming pool can cause premature fading of the canopy.

WARNING: To prevent damage to parasol, facing the canopy against the wind.

Do not assemble the parasol on sandy, muddy or loose soil.

Keep children and pets away while setting up the parasol.

Children must be supervised around the parasol.

This parasol is for outdoor use only.

Do not light any fires under or near the parasol!

This parasol is primarily intended to be used as a sunshade and not as wind protection.

For more information regarding maintenance of your furniture please visit

http://www.hartmanuk.co.uk/after_care_videos.html

Component's				Component's					
Parts List	Parts Picture	Description	Q'ty	Component no.	Parts List	Parts Picture	Description	Q'ty	Component no.
A		Cross Base A	1	13302164A 13302154A	G		Rotation Base	1	2100032
B		Cross Base B	1	13302164B 13302154B	H		Rotation Base Cap	1	2100033
C		Support Pole	1	13302164C 13302154C	I		Parasol	1	13302164D 13302154D
1		Bolts (M8X20)	5	2002198	J		Allen Key	1	2100029
E		Bolts (M8X14)	4	2100031	K		Cover	1	13302164E 13302154E
F		Washers (ϕ 16/ ϕ 8.2*1.2)	9	1061162	L		Crank Handle	1	2100024

For replacement or lost spare parts please go to <http://faq.hartmanuk.co.uk/spares/>

Should you have any queries about your furniture your first point of contact should be the retailer from whom you purchased your product.

PLEASE KEEP ME WITH YOUR PROOF OF PURCHASE FOR FUTURE REFERENCE.



ASSEMBLY INSTRUCTIONS

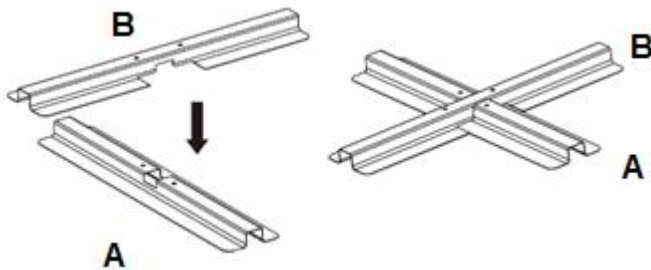
PACIFIC PARASOL (2.7M SQUARE)

(13302164 – DOVE)

(13302154 – GREY)

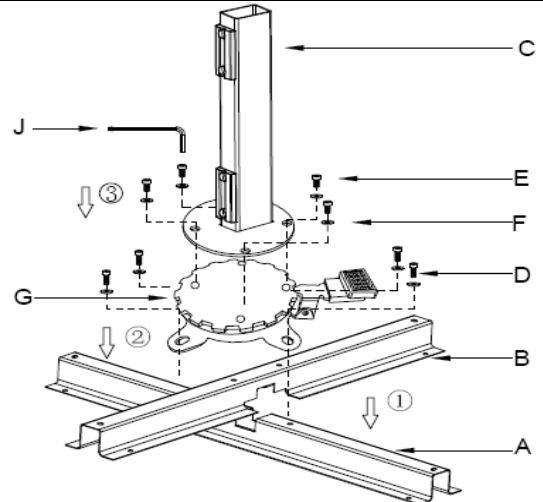
Step 1

Place Cross Base (A) on a soft surface, line up notches and place Cross Base (B) over Cross Base (A).



Step 2

- Attach Rotation Base(G) to Cross Base by using Bolts(D) and Washers(F), hand tighten only. Adjust the Rotation Base(G) to be sure it is positioned correctly on the Cross Base and finally tighten all Bolts with Allen Key(J).
- Attach Support Pole(C) to Rotation Base(G) by using Bolts(E) and Washers(F), hand tighten only. Adjust the Support Pole (C) to be sure it is positioned correctly on the Rotation Base and finally tighten all Bolts with Allen Key(J). **Be careful not to over tighten.**



Step 3

Insert the Rotation Base Cap (H) into Support Pole (C).

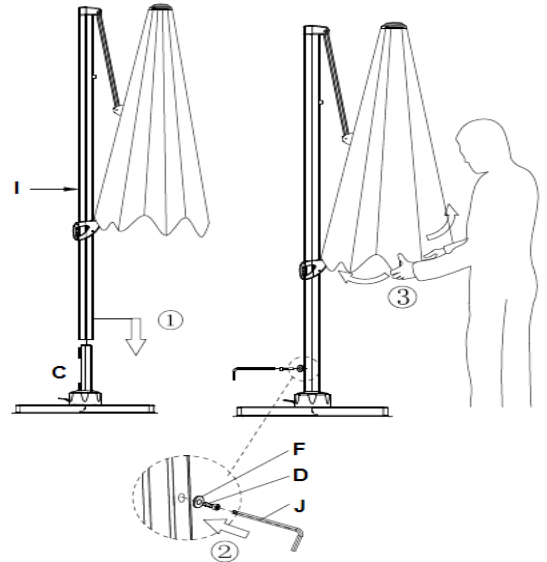
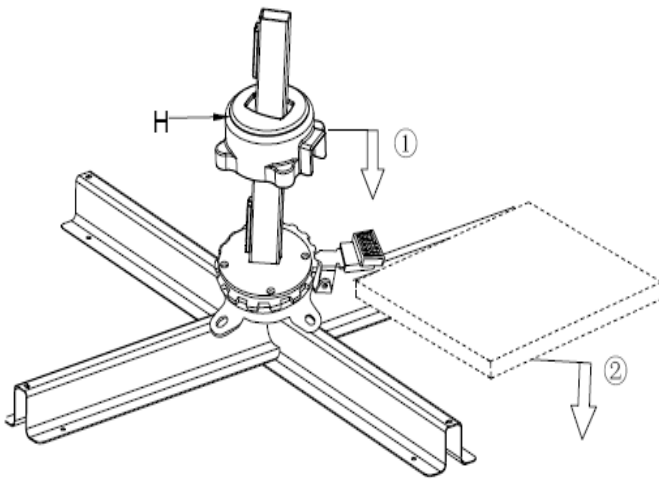
Step 4

Insert the Parasol (I) into Support Pole (C). And tighten the Bolt(D) and Washers(F) by using Allen Key (J) into the Support Pole.

For replacement or lost spare parts please go to <http://faq.hartmanuk.co.uk/spares/>

Should you have any queries about your furniture your first point of contact should be the retailer from whom you purchased your product.

PLEASE KEEP ME WITH YOUR PROOF OF PURCHASE FOR FUTURE REFERENCE.



Step 5

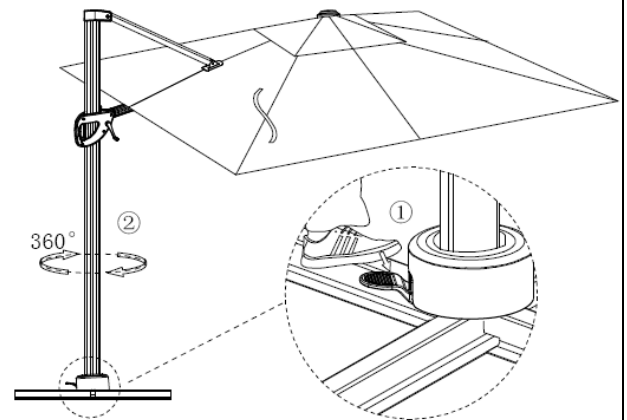
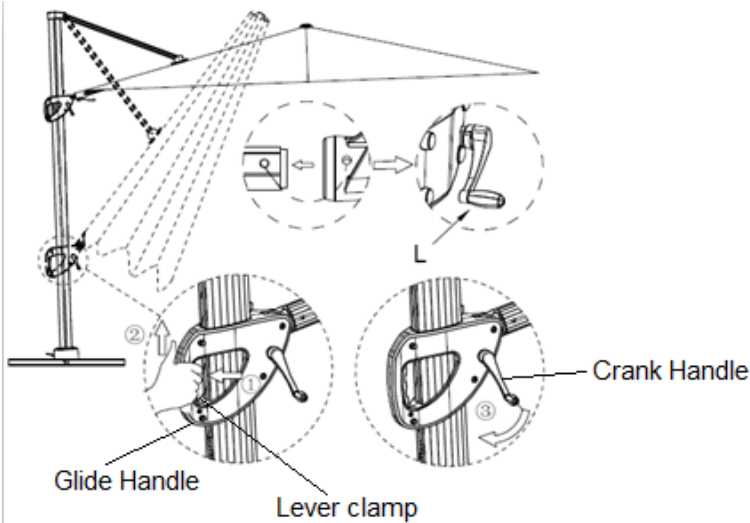
Insert the Crank Handle (L).

To open the parasol, squeeze the Glide Handle and slide up or down the pole to achieve the desired tilting angle. Release the grip to lock into place.

To open the canopy, turn the crank handle clockwise until the canopy is fully open.

Step 6

Step on the foot panel of Rotation Base and use your hands to turn the parasol to make 360° rotation.



Step 7

Tilt the parasol to the desired angle.

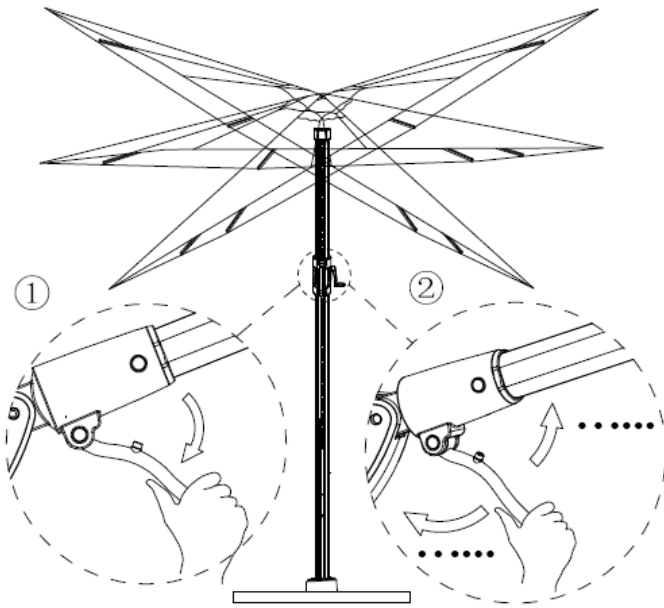
Step 8

Turn the crank handle counter clockwise to close the parasol.

For replacement or lost spare parts please go to <http://faq.hartmanuk.co.uk/spares/>

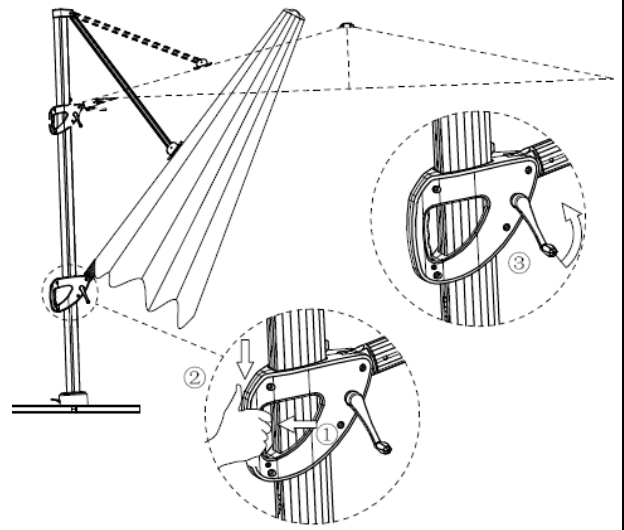
Should you have any queries about your furniture your first point of contact should be the retailer from whom you purchased your product.

PLEASE KEEP ME WITH YOUR PROOF OF PURCHASE FOR FUTURE REFERENCE.



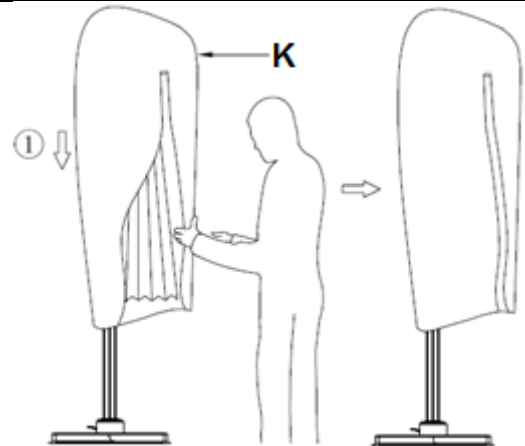
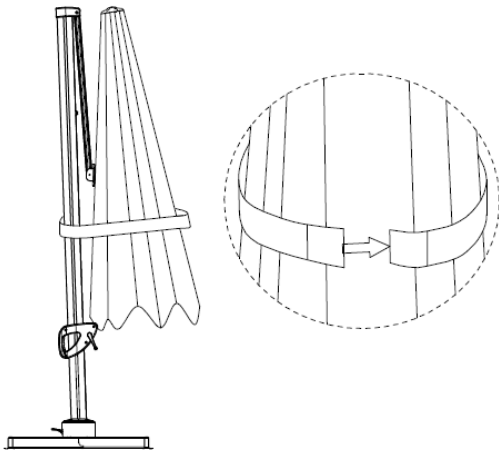
Step 9

When the parasol is closed, secure the parasol with the closure ties as shown.



Step 10

Use Cover (K) when your parasol is not in use.



For replacement or lost spare parts please go to <http://faq.hartmanuk.co.uk/spares/>

Should you have any queries about your furniture your first point of contact should be the retailer from whom you purchased your product.