

PLEASE KEEP ME WITH YOUR PROOF OF PURCHASE FOR FUTURE REFERENCE.



**ATTENTION:**

1. Please read these instructions carefully before assembly
2. Although assembly only requires 1 person it is advised that a second person be present to help place into position when fully assembled.

**Care for the canopy:**

- Simply clean the umbrella canopy with a soft brush and mild detergent.
- Do not machine wash or machine dry.
- Do not iron.
- Air-dry the canopy thoroughly in an open position before storing for extended periods of time.

**IMPORTANT!** Always close/put down the parasol when not in use. Do not use or assemble the parasol in heavy winds, rain, thunderstorms or if it's snowing. In these weather conditions, we recommend to fold down or disassemble the parasol. Disassemble by following the setup steps in this manual.

**IMPORTANT!** The parasol must be secured in place using a parasol base. Make sure the ground is level and firm.

**IMPORTANT!** If the crank gets too hard to turn, check if the rope has come off the pulley. If you continue to turn the crank, the rope or crank handle could break.

**IMPORTANT!** Placing the parasol over or near a swimming pool can cause premature fading of the canopy.

**WARNING:** To prevent damage to parasol, facing the canopy against the wind.

Do not assemble the parasol on sandy, muddy or loose soil.

Keep children and pets away while setting up the parasol.

Children must be supervised around the parasol.

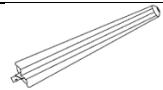
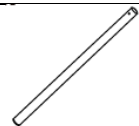


This parasol is for outdoor use only.

Do not light any fires under or near the parasol!

This parasol is primarily intended to be used as a sunshade and not as wind protection.

**For more information regarding maintenance of your furniture please visit**

[http://www.hartmanuk.co.uk/after\\_care\\_videos.html](http://www.hartmanuk.co.uk/after_care_videos.html)

Component's				Component no.
Parts List	Parts Picture	Description	Q'ty	Component no.
A		Parasol	1	13202101A
B		Pole	1	13202101B
C		Cover	1	13202101C
D		Finial	1	13202101D

For replacement or lost spare parts please go to <http://faq.hartmanuk.co.uk/spares/>

**Should you have any queries about your furniture your first point of contact should be the retailer from whom you purchased your product.**

PLEASE KEEP ME WITH YOUR PROOF OF PURCHASE FOR FUTURE REFERENCE.



### ASSEMBLY INSTRUCTIONS

#### SHANGHAI PARASOL

(13202101)

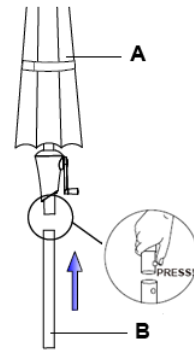
#### Step 1

Align Finial (D) to threading on top of umbrella frame (A) and turn clockwise (to right) to lock into place. Do not over-tighten.



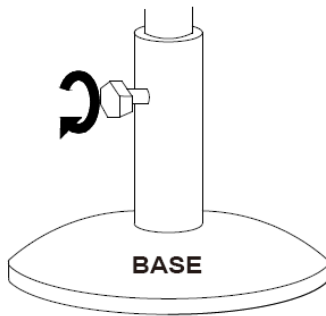
#### Step 2

Press the spring-button of the part (A) while inserting the part (B) pole until it locks in place (the spring-button should pop into the hole in the pole).



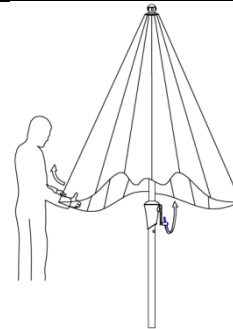
#### Step 3

We recommend that you secure the parasol to one parasol base (sold separately).



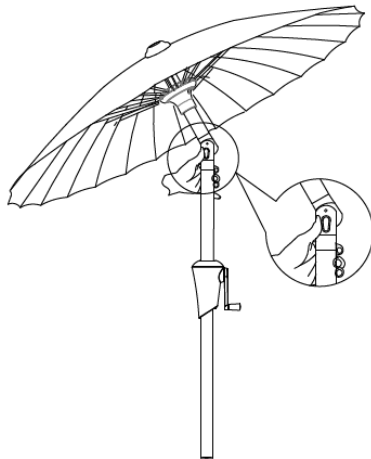
#### Step 4

Turn the crank handle in clockwise direction to open the parasol canopy.



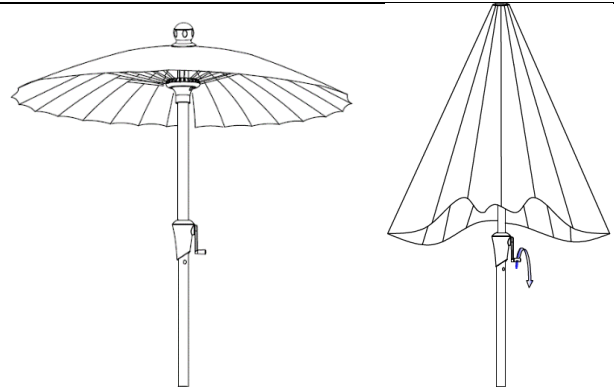
#### Step 5

Tilt the parasol to the desired angle while pressing the tilt button to release the parasol top. Release the button to maintain the desired angle.



#### Step 6

Turn the crank handle counter clockwise to close the parasol. TO CLOSE THE PARASOL IT MUST BE IN THE UPRIGHT POSITION.



For replacement or lost spare parts please go to <http://faq.hartmanuk.co.uk/spares/>

Should you have any queries about your furniture your first point of contact should be the retailer from whom you purchased your product.